

Pulsation Dampener



To Purchase:

- 800-990-7867
- sales@yamadapump.com
- Find My Rep

More Information:

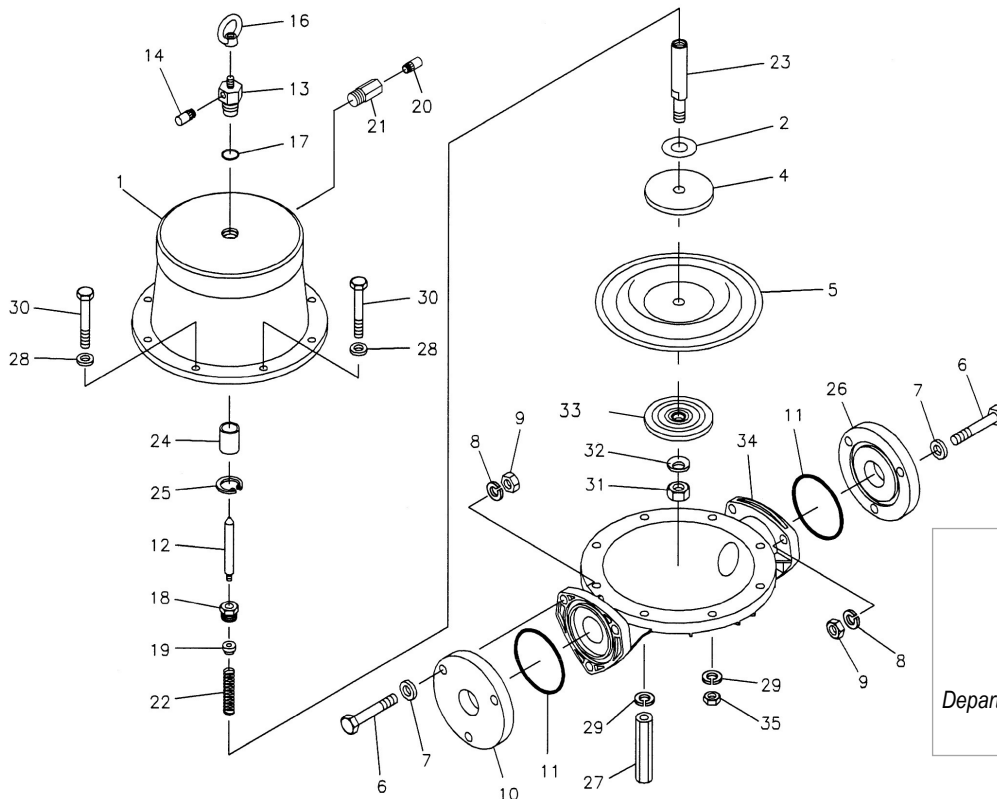
- YouTube: @yamadapump
- yamadapump.com
- Data Sheets | CAD Drawings | Manuals Literature | BOM | Performance Curves

Trial Program



| REF. NO. | PART NO. | DESCRIPTION  | QTY. | REORDER |
|----------|----------|--------------|------|---------|
| 1        | 713310   | AIR CHAMBER  | 1    |         |
| 2        | 771316   | CUSHION      | 1    |         |
| 4        | 711904   | CENTER DISK  | 1    |         |
| 5        | 771856   | DIAPHRAGM    | 1    |         |
| 6        | 621204   | BOLT         | 6    |         |
| 7        | 631175   | PLAIN WASHER | 6    |         |
| 8        | 631938   | WAVE WASHER  | 6    |         |
| 9        | 628014   | NUT          | 6    |         |
| 10       | 714100   | FLANGE OUT   | 1    |         |
| 11       | 684122   | O RING       | 2    |         |
| 12       | 795081   | VALVE        | 1    |         |
| 13       | 716408   | VALVE SEAT   | 1    |         |
| 14       | 802569   | MUFFLER      | 1    |         |
| 16       | 630241   | EYE NUT      | 1    |         |
| 17       | 640017   | O RING       | 1    |         |
| 18       | 710717   | NUT          | 1    |         |
| 19       | 710719   | NUT          | 1    |         |

| REF. NO. | PART NO. | DESCRIPTION       | QTY. | REORDER |
|----------|----------|-------------------|------|---------|
| 20       | 681170   | MUFFLER           | 1    |         |
| 21       | 714085   | UNION             | 1    |         |
| 22       | 710762   | SPRING            | 1    |         |
| 23       | 713443   | CENTER ROD        | 1    |         |
| 24       | 773092   | THROAT BEARING    | 1    |         |
| 25       | 630807   | RETAINING RING    | 1    |         |
| 26       | 714099   | FLANGE IN         | 1    |         |
| 27       | 713319   | STUD              | 4    |         |
| 28       | 631174   | PLAIN WASHER      | 8    |         |
| 29       | 631937   | WAVE WASHER       | 8    |         |
| 30       | 621183   | BOLT              | 8    |         |
| 31       | 683408   | NUT               | 1    |         |
| 32       | 682740   | CONED DISC SPRING | 1    |         |
| 33       | 711905   | CENTER DISK       | 1    |         |
| 34       | 712932   | OUT CHAMBER       | 1    |         |
| 35       | 628013   | NUT               | 4    |         |



**Customer Notes**

Model #: \_\_\_\_\_

Description: \_\_\_\_\_

Serial #: \_\_\_\_\_

Date Installed: \_\_\_\_\_

Department Location: \_\_\_\_\_

Tag/Project: \_\_\_\_\_